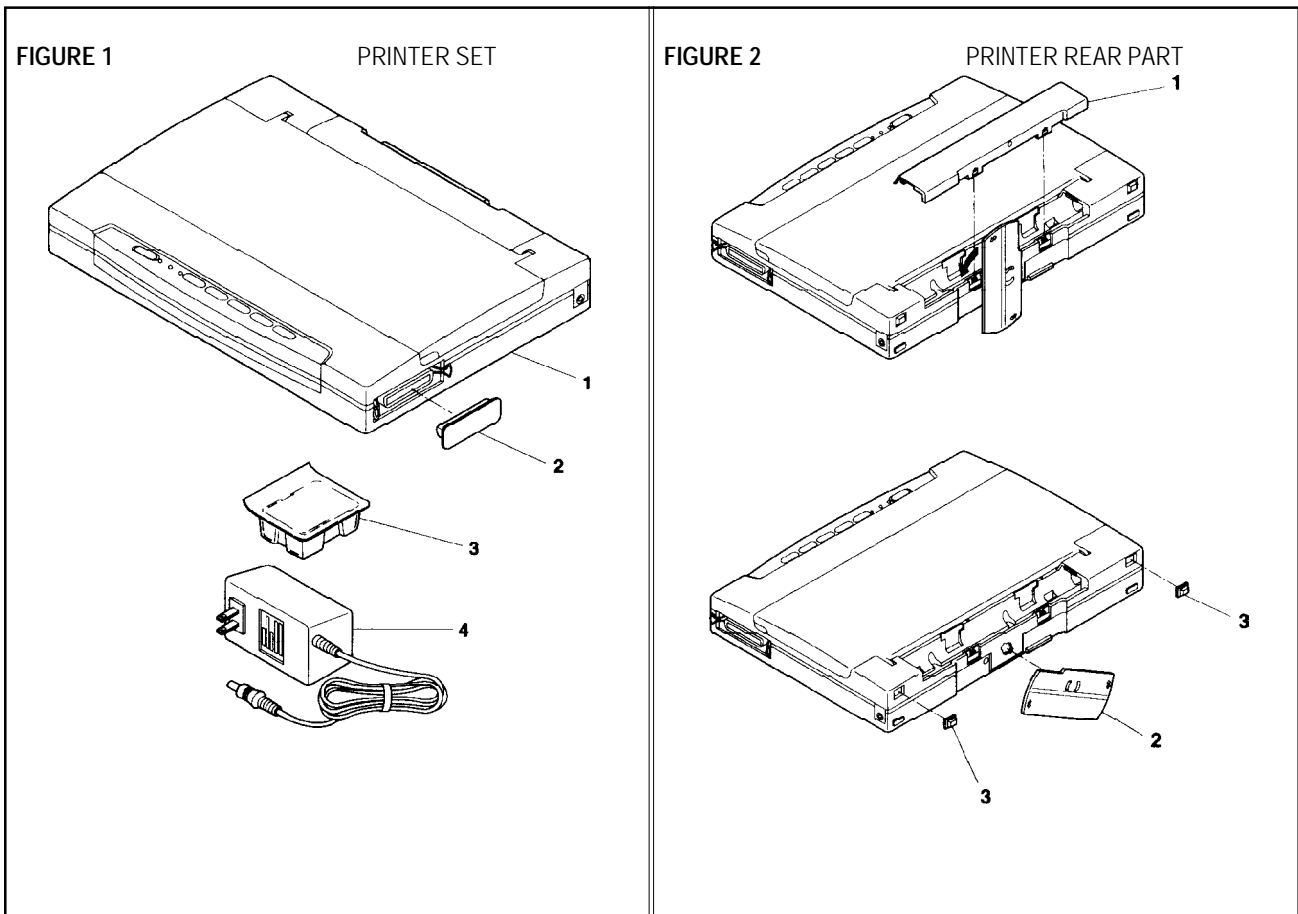
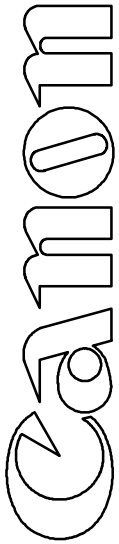


***BJ-10sx***

**PARTS  
CATALOG**

**Canon**

---



NUM.	PART #	DESCRIPTION	NUM.	PART #	DESCRIPTION
1-2	QA2-0503-000	CAP, CONNECTOR	2-1	QB1-0560-000	COVER, BATTERY (WHITE)
				QB1-0587-000	COVER, BATTERY (BLACK)
			2	QB1-0561-000	STAND, PRINTER (WHITE)
				QB1-0588-000	STAND, PRINTER (BLACK)
			3	QA2-0807-000	FOOT, RUBBER (BLACK) (2)
				QA2-0809-000	FOOT, RUBBER (WHITE) (2)

FIGURE 3

TOP & INNER COVERS

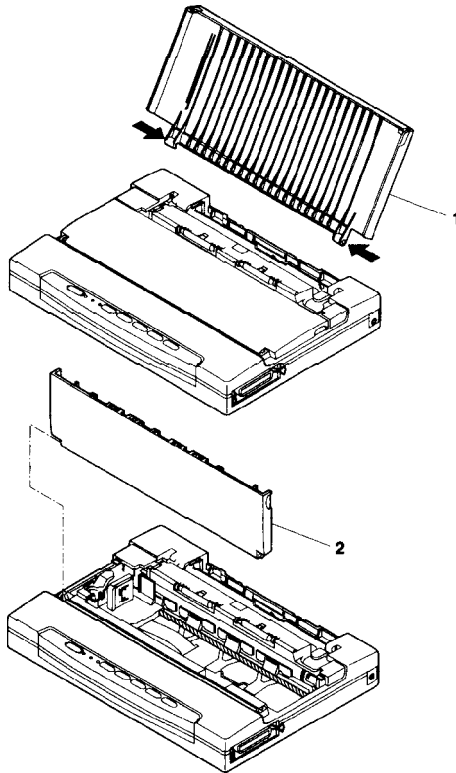
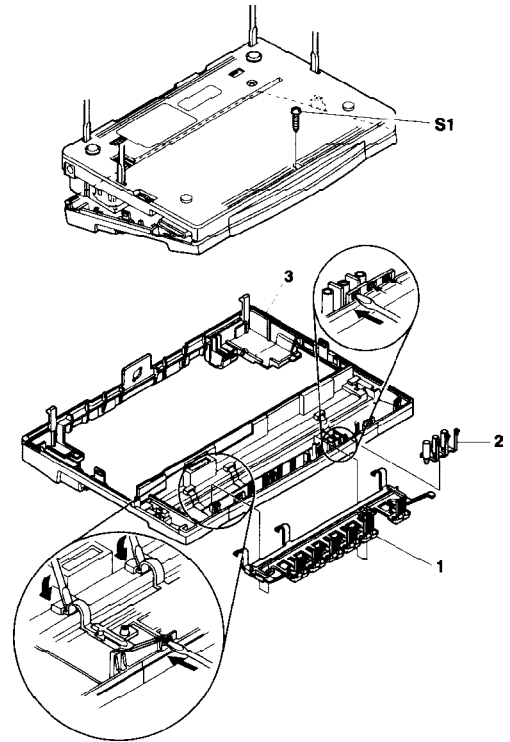


FIGURE 4

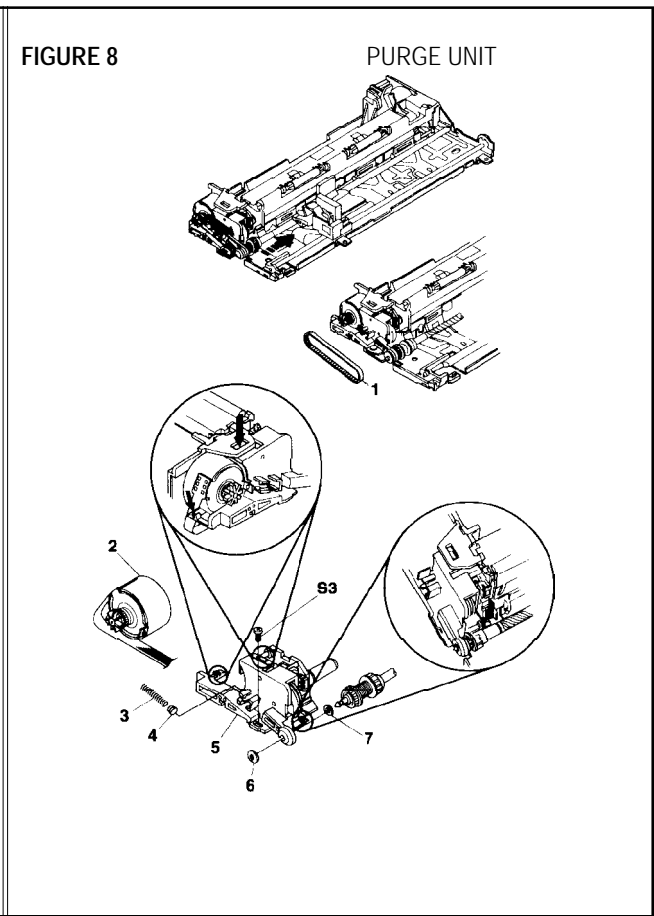
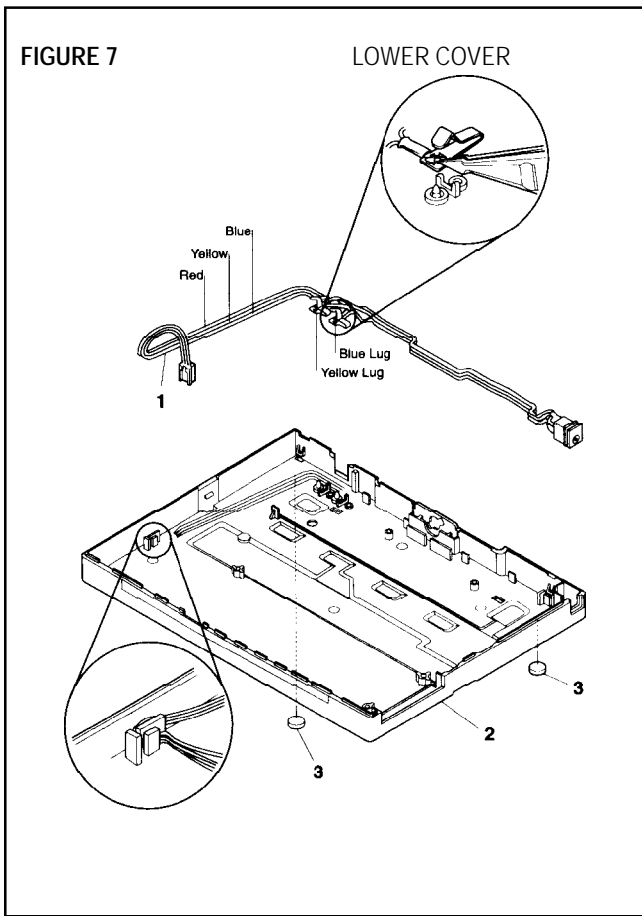
UPPER COVER



NUM.	PART #	DESCRIPTION
3-1	QB1-0565-000	COVER, TOP (WHITE)
	QB1-0586-000	COVER, TOP (BLACK)
2	QF5-0065-000	COVER, INNER (WHITE)
	QF5-0067-000	COVER, INNER (BLACK)

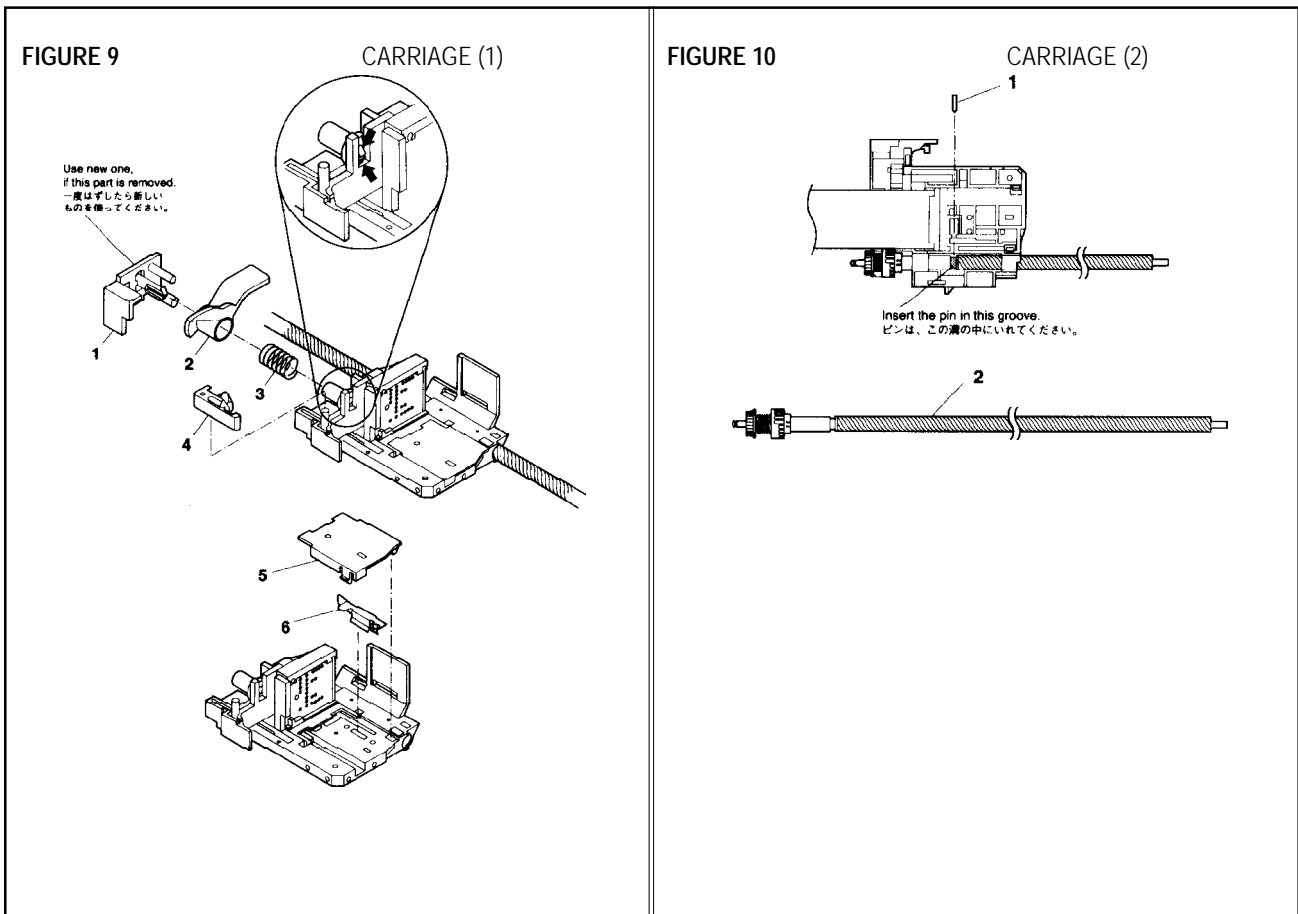
NUM.	PART #	DESCRIPTION
4-1	QB1-0564-000	KEYTOP (WHITE)
	QB1-0592-000	KEYTOP (BLACK)
2	QB1-0578-000	INDICATOR, LED
3	QB1-0563-000	COVER, UPPER (WHITE)
	QB1-0591-000	COVER, UPPER (BLACK)

FIGURE 5 LOGIC BOARD			FIGURE 6 PRINTER UNIT		
			<p>Mark the dial positions. ダイヤル位置をマークしてください。</p>		
NUM.	PART #	DESCRIPTION	NUM.	PART #	DESCRIPTION
5-1	QG2-2440-000	LOGIC BOARD	6-1	QB1-0568-000	SWITCH, BATTERY (WHITE)
				QB1-0589-000	SWITCH, BATTERY (BLACK)
			2	QG5-0153-000	UNIT, PRINTER
			3	QH8-8534-000	SWITCH, PAPER SENSER

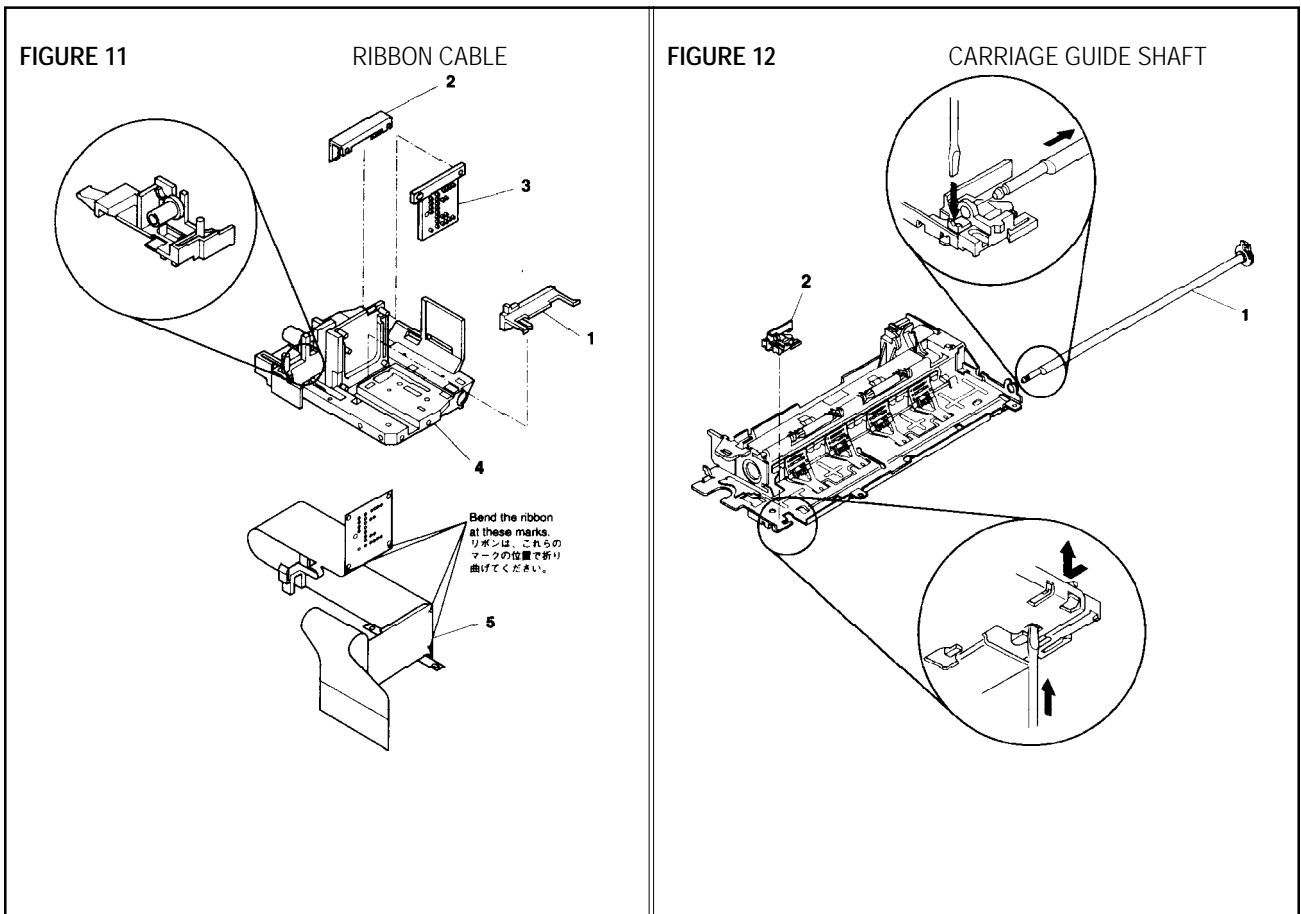


NUM.	PART #	DESCRIPTION
7-1	QG2-2441-000	CABLE, DC INLET UNIT
2	QB1-0562-000	COVER, LOWER (WHITE)
	QB1-0590-000	COVER, LOWER (BLACK)
3	QA2-0806-000	FOOT, RUBBER (BLACK) (2)
	QA2-0808-000	FOOT, RUBBER (WHITE) (2)

NUM.	PART #	DESCRIPTION
8-1	QB1-0579-000	BELT, CARRIAGE DRIVE
2	QF5-0064-000	MOTOR, CARRIAGE
3	QA2-0323-000	SPRING, BELT TENSION
4	QB1-0594-000	DAMPER
5	QG5-0162-000	UNIT, PURGE
6	QA2-0325-000	STOPPER, CARRIAGE SHAFT
7	QA2-0657-000	SLIDER

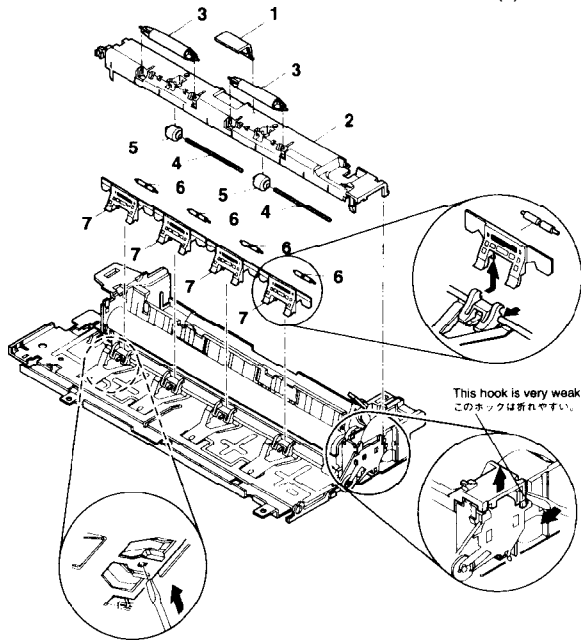


NUM.	PART #	DESCRIPTION	NUM.	PART #	DESCRIPTION
9-1	QA2-0373-030	COVER, HOOK	10-1	QA2-0362-030	PIN, LEAD
2	QB1-0584-000	LEVER, HOOKING	2	QG1-5270-000	SCREW, LEAD
3	QB1-0585-000	SPRING			
4	QA2-0370-030	HOOK, BJ CARTRIDGE			
5	QB1-0581-000	COVER, CARRIAGE			
6	QA2-0363-020	HOLDER, LEAD PIN			

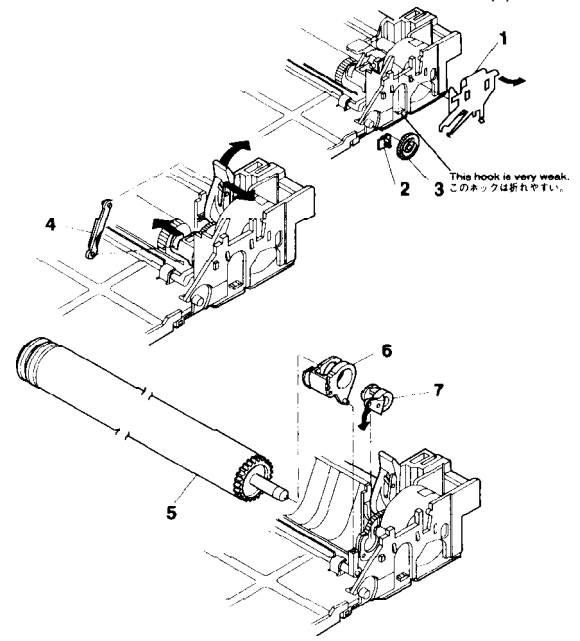


NUM.	PART #	DESCRIPTION	NUM.	PART #	DESCRIPTION
11-1	QA2-0369-000	HOLDER, RIBBON CABLE (LOWER)	12-1	QF5-0066-000	SHAFT, CARRIAGE GUIDE
2	QB1-0441-000	HOLDER, RIBBON CABLE (UPPER)	2	QA2-0331-020	HOLDER, GUIDE SHAFT
3	QB1-0580-000	PAD, CONTACT			
4	QB1-0559-000	BASE, CARRIAGE			
5	QG2-2438-000	CABLE, CARRIAGE RIBBON (W/HP SENSOR)			

**FIGURE 13 PAPER FEED PART (1)**



**FIGURE 14 PAPER FEED PART (2)**

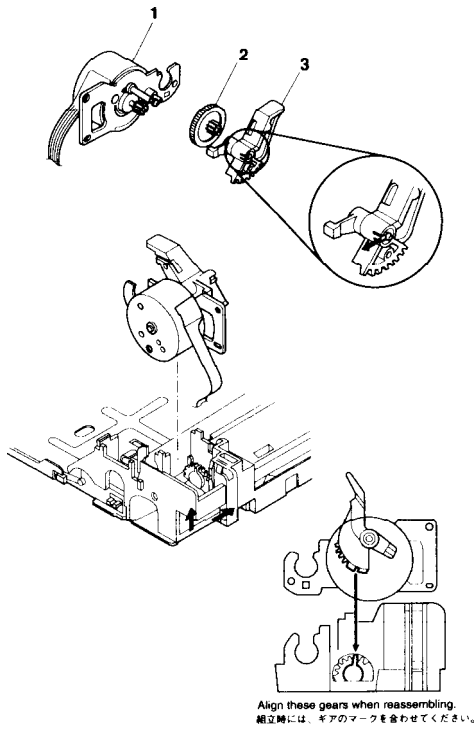


NUM.	PART #	DESCRIPTION
13-1	QB1-0576-000	SEPARATOR, PAPER
2	QB1-0575-000	PLATE, PLATEN
3	QG1-5063-000	ROLLER, EJECT (2)
4	QA2-0405-000	SHAFT, ROLLER (2)
5	QG1-5062-000	ROLLER, TRANSMISSION (2)
6	QA2-0415-000	ROLLER, PRESSURE (4)
7	QA2-0330-000	PLATE, PRESSURE (4)

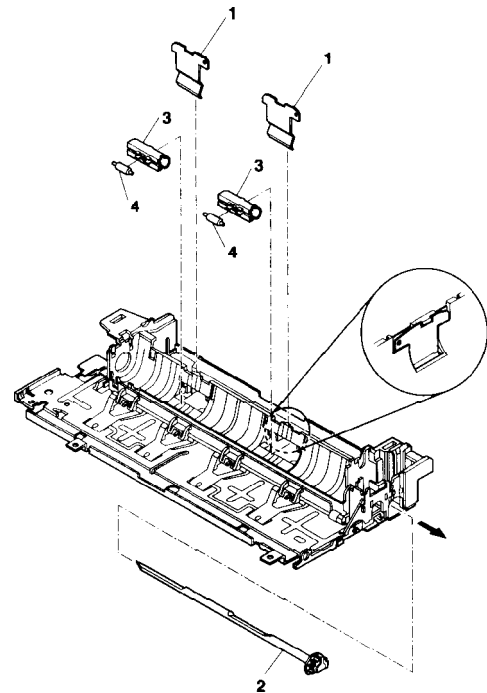
NUM.	PART #	DESCRIPTION
14-1	QA2-0659-000	STABILIZER, FEED ROLLER
2	QA2-0392-000	HOLDER, LEAD SCREW
3	QA2-0386-000	DIAL, ADJUST
4	QA2-0388-000	ROD, RELEASE
5	QF1-5038-060	ROLLER, FEED
6	QA2-0384-000	CRANK, RELEASE
7	QA2-0385-000	HOLDER, FEED ROLLER



**FIGURE 15** PAPER FEED MOTOR

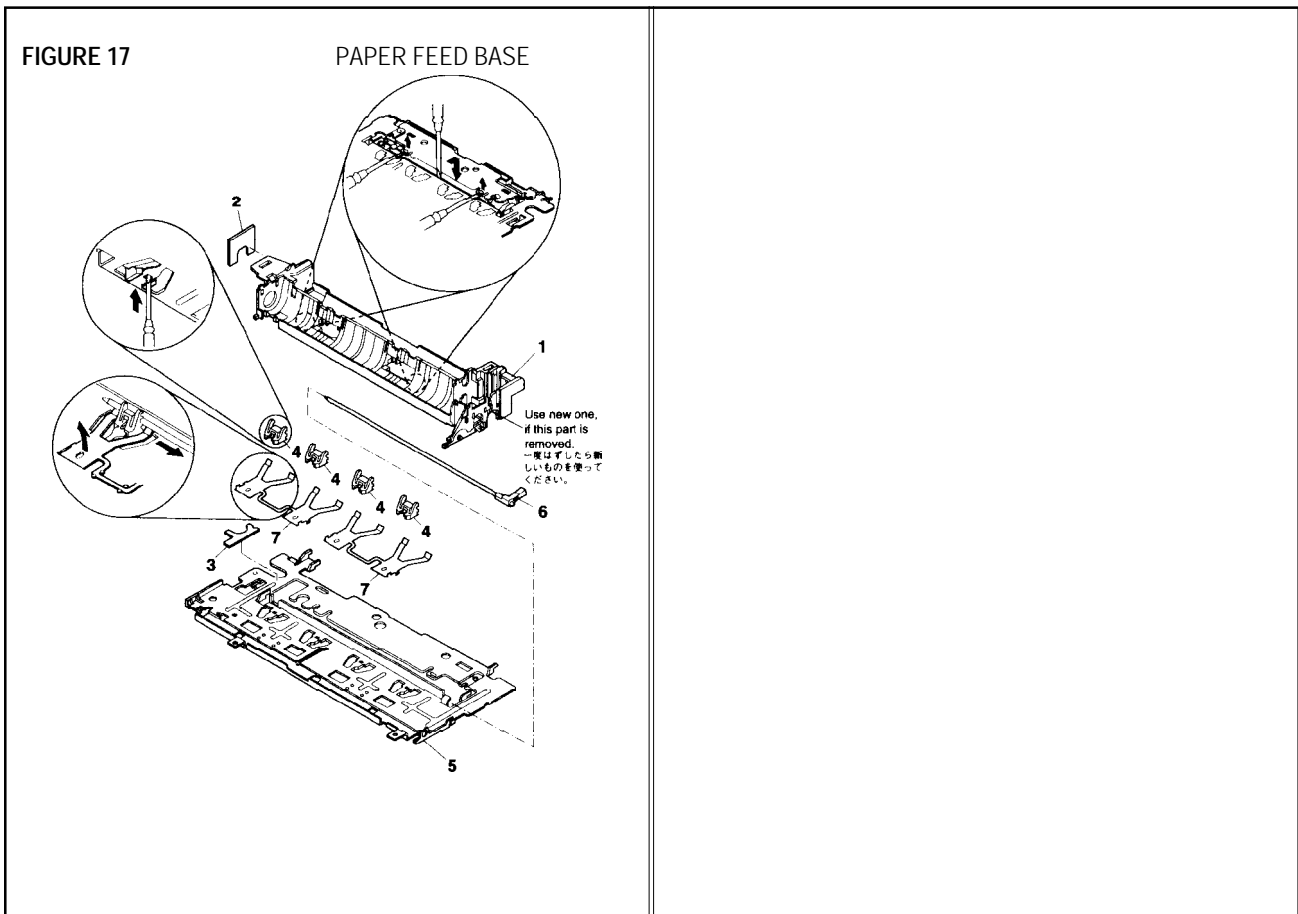
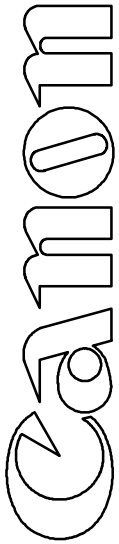


**FIGURE 16** PINCH ROLLER



NUM.	PART #	DESCRIPTION
15-1	QH4-4020-000	MOTOR, PAPER FEED
2	QA2-0399-000	GEAR, SLOWDOWN
3	QA2-0400-000	LEVER, RELEASE

NUM.	PART #	DESCRIPTION
16-1	QA2-0381-000	LEAF SPRING, PINCH ROLLER (2)
2	QA2-0383-020	SHAFT, PINCH ROLLER RELEASE
3	QB1-0574-000	HOLDER, PINCH ROLLER (2)
4	QB1-0572-000	ROLLER, PINCH (2)



NUM.	PART #	DESCRIPTION	NUM.	PART #	DESCRIPTION
17-1	QA2-0380-000	BASE, PAPER FEED			
2	QA2-0391-000	ABSORBER, INK			
3	QA2-0333-000	ABSORBER, INK			
4	QA2-0329-000	HOLDER, PRESSURE PLATE (4)			
5	QB1-0558-000	CHASSIS			
6	QF1-5036-000	SHAFT, PRESSURE PLATE RELEASE			
7	QB1-0571-000	LEAF, SPRING, PRESSURE PLATE (2)			